

## VICINITY MAP

0 25,000 50,000 100,000

1 inch = 50,000 feet

**HOUSTON OIL PRODUCING ENTERPRISES, INC**  
**PROPOSED CADE 1E WELL**  
Galveston County, Texas

8.5" X 11" NAD 1983 StatePlane Texas South Central FIPS 4204



DRAWN BY: AWS

REVISED:

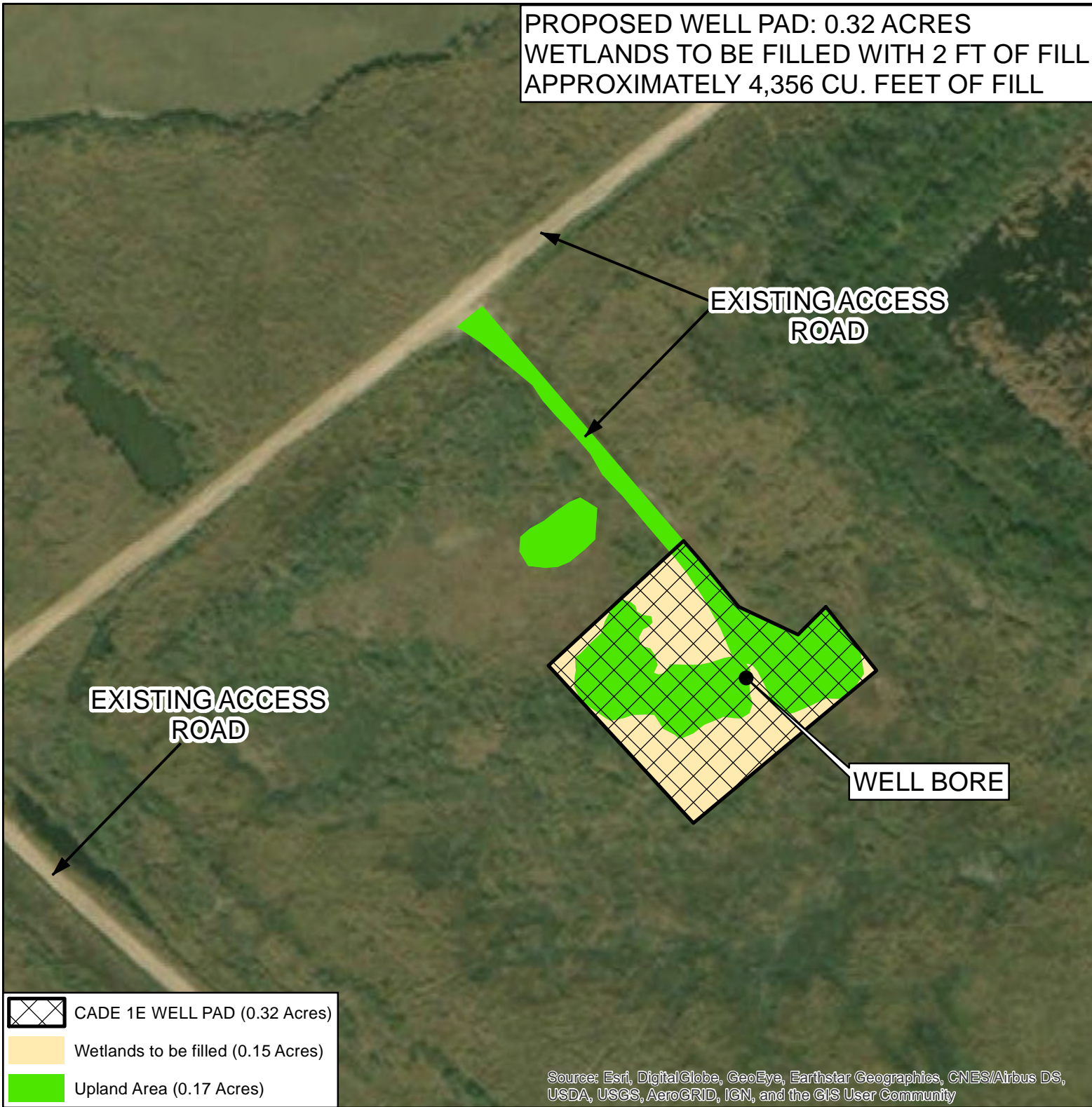
DATE: 06/23/2020




PROJ. MGR:

SHEET 1 OF 4

FILENAME:

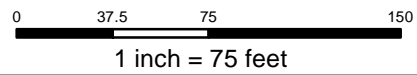
PROPOSED WELL PAD: 0.32 ACRES  
 WETLANDS TO BE FILLED WITH 2 FT OF FILL  
 APPROXIMATELY 4,356 CU. FEET OF FILL



	CADE 1E WELL PAD (0.32 Acres)
	Wetlands to be filled (0.15 Acres)
	Upland Area (0.17 Acres)

Source: Esri, DigitalGlobe, GeoEye, Earthstar Geographics, CNES/Airbus DS, USDA, USGS, AeroGRID, IGN, and the GIS User Community

PLAN VIEW




HOUSTON OIL PRODUCING ENTERPRISES, INC

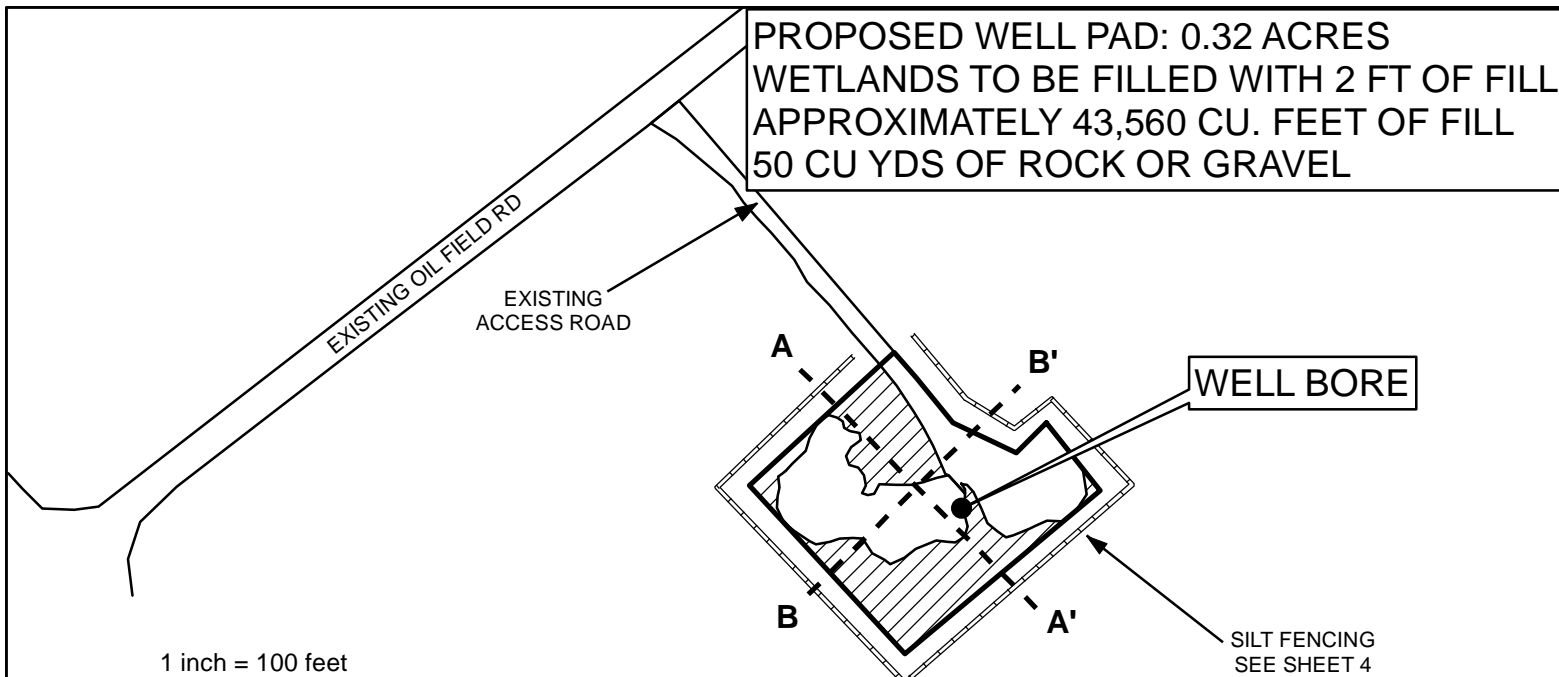
PROPOSED CADE 1E WELL

Galveston County, Texas

8.5" X 11" NAD 1983 StatePlane Texas South Central FIPS 4204

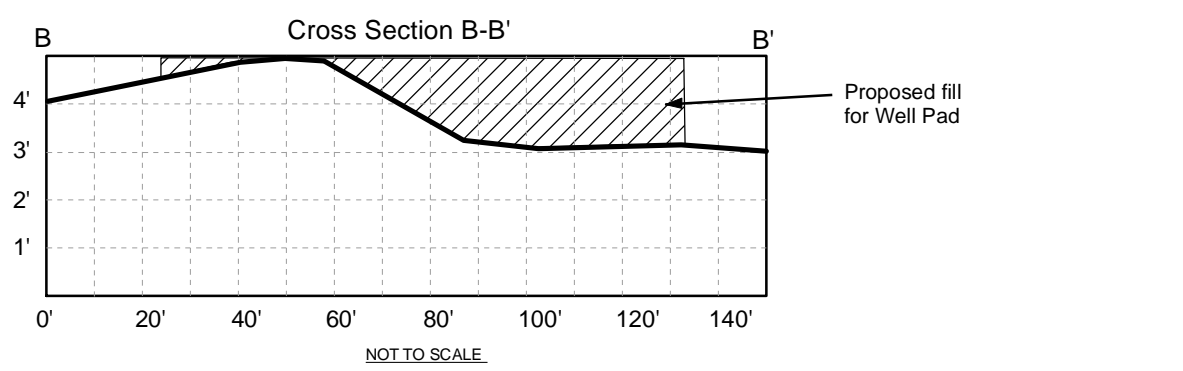
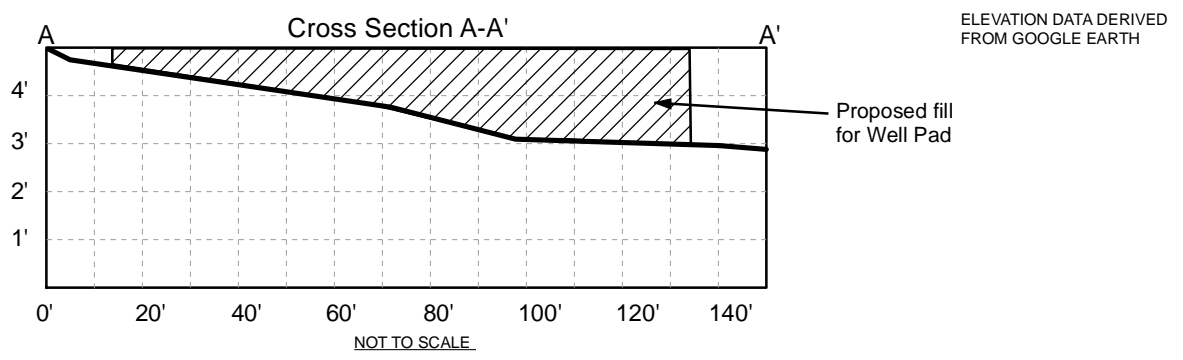
 <p><b>PROJECT CONSULTING SERVICES®</b>, INC.          www.projectconsulting.com</p> <p>NEW ORLEANS, LA • HOUSTON, TX • MOBILE, AL •          BIRMINGHAM, AL • ATLANTA, GA • LAFAYETTE, LA •          MANDEVILLE, LA • SAN ANTONIO, TX •          CHICAGO, IL • NORTH HAMPTON, NH</p>	DRAWN BY: AWS	REVISED:	DATE: 06/23/2020
	PROJ. MGR:		SHEET 2 OF 4
	FILENAME:		

**PROPOSED WELL PAD: 0.32 ACRES  
 WETLANDS TO BE FILLED WITH 2 FT OF FILL  
 APPROXIMATELY 43,560 CU. FEET OF FILL  
 50 CU YDS OF ROCK OR GRAVEL**



- Wetlands to be filled (0.15 Acres)
- CADE 1E WELL PAD (0.32 Acres)

MHHW: 0.65 NAVD88



NOTE: THE CONTENT OF THIS DRAWING IS DESIGNED SPECIFICALLY FOR THE PURPOSE OF SECURING FEDERAL, STATE AND LOCAL ENVIRONMENTAL/REGULATORY AUTHORIZATIONS ONLY.

## CROSS SECTION

# HOUSTON OIL PRODUCING ENTERPRISES, INC

## PROPOSED CADE 1E WELL

Galveston County, Texas

8.5" X 11" NAD 1983 StatePlane Texas South Central FIPS 4204



**PROJECT CONSULTING SERVICES®, INC.**  
 www.projectconsulting.com

NEW ORLEANS, LA • HOUSTON, TX • MOBILE, AL •  
 BIRMINGHAM, AL • ATLANTA, GA • LAFAYETTE, LA •  
 MANDEVILLE, LA • SAN ANTONIO, TX •  
 CHICAGO, IL • NORTH HAMPTON, NH

DRAWN BY: AWS

PROJ. MGR:

FILENAME:

REVISED:

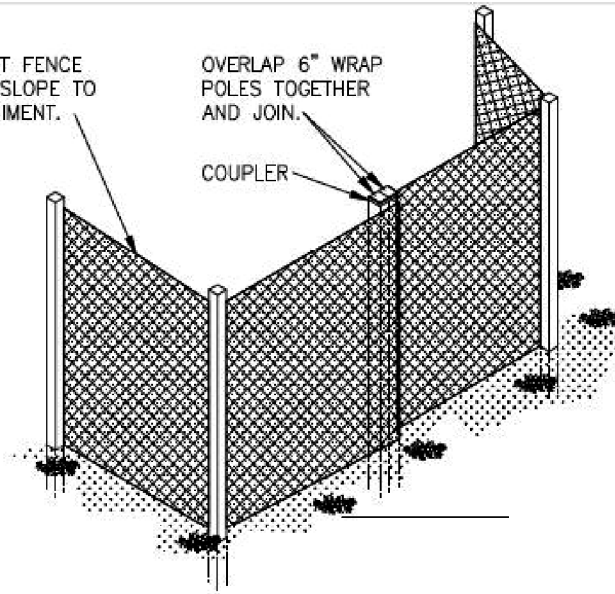
DATE: 06/23/2020

SHEET 3 OF 4

ENDS OF SILT FENCE  
TURNED UP SLOPE TO  
CONTAIN SEDIMENT.

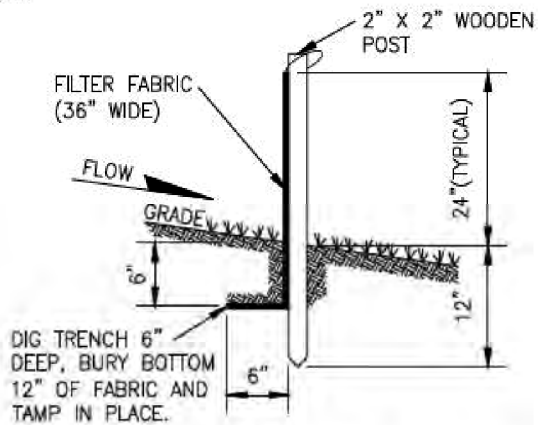
OVERLAP 6" WRAP  
POLES TOGETHER  
AND JOIN.

COUPLER



## PERSPECTIVE VIEW

NOT TO SCALE



## CROSS-SECTION

NOTE: THE CONTENT OF THIS DRAWING IS DESIGNED SPECIFICALLY FOR THE PURPOSE OF SECURING FEDERAL, STATE AND LOCAL ENVIRONMENTAL/REGULATORY AUTHORIZATIONS ONLY.

## SEDIMENT CONTROL BMP

HOUSTON OIL PRODUCING ENTERPRISES, INC

PROPOSED CADE 1E WELL

Galveston County, Texas

8.5" X 11" NAD 1983 StatePlane Texas South Central FIPS 4204



**PROJECT CONSULTING SERVICES®**, INC.  
www.projectconsulting.com

NEW ORLEANS, LA • HOUSTON, TX • MOBILE, AL •  
BIRMINGHAM, AL • ATLANTA, GA • LAFAYETTE, LA •  
MANDEVILLE, LA • SAN ANTONIO, TX •  
CHICAGO, IL • NORTH HAMPTON, NH

DRAWN BY: AWS

REVISED:

DATE: 06/23/2020

PROJ. MGR:

SHEET 4 OF 4

FILENAME: